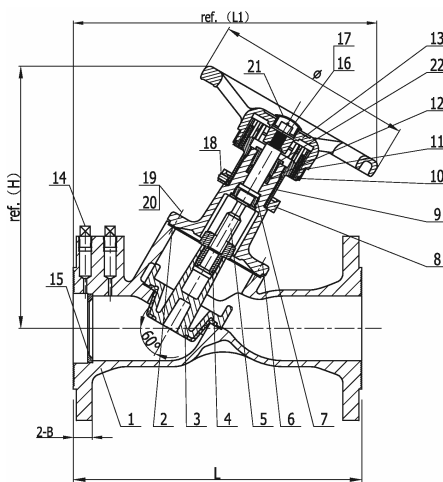


## Fixed Orifice Double Regulating Valves Ductile Iron, PN16, w/Two Test Ports Flanged Ends, Size DN 65-300

Design	Valve	Face to Face	Flanges	Testing
Standard	BS 7350	BS 2080	BS EN 1092-2	BS 6755-1



**Note:**  
In accordance with BS7350, the accuracy of flow measurement is  $\pm 5\%$  at all open positions of the double regulating valves.

### MATERIAL LIST

PART	MATERIAL	SPECIFICATION(BSEN)
1. Body	Ductile Iron	1563 EN-JS1050
2. Seal Gasket	EPDM	12165 CW602N
3. Disc	Ductile Iron w/EPDM coated	1563 EN-JS1050
4. Stem Nut	Brass	12165 CW602N
5. Stem	S.S. 410	BS970 410S21
6. Bonnet	Ductile Iron	1563 EN-JS1050
7. Stem Lock Bushing	Brass	12165 CW602N
8. Limit Set of Indicator	S.S. 304	BS970 304S15
9. Oriented Set of Indicator	Brass	12165 CW602N
10. Directed Circle	ABS	
11. Indicator	ABS	
12. Packing	EPDM	
13. Handwheel	Ductile Iron	1563 EN-JS1050
14. Plug	Steel	
15. Orifice Insert	Brass or S.S. 304	12165 CW602N or BS970 304S15
16. Bolt	S.S. 304	BS970 304S15
17. Gasket	S.S. 304	BS970 304S15
18. Hex. Socket Screw	S.S. 304	BS970 304S15
19. Bolt	S.S. 304	BS970 304S15
20. Spring Gasket	S.S. 304	BS970 304S15
21. Indicator Dust Cover	ABS	
22. Packing Gland	Brass (DN65-DN150) or Ductile Iron (DN200-300)	12165 CW602N or EN-JS1050

#### Pressure Testing

Shell	24 Bar
Seat	17.6 Bar

#### Pressure/Temperature Rating

16 Bar/ -10 to 120°C
12.8 Bar / 200°C

Nominal Size		Dimensions (mm)						Coefficients		
		H	L	L1	B	Ø	W.t (kg)	Flow Kv	Headloss K	Kvs
65	(2 1/2)	265	290	310	19	200	17	104	5.32	104
80	(3)	370	310	320	19	200	20	112	6.48	116
100	(4)	310	350	360	19	240	29	162	13.15	213
125	(5)	340	400	415	19	290	40	254	8.32	333
150	(6)	350	480	445	19	290	52	335	7.33	476
200	(8)	537	600	620	20	350	113	535	8.26	768
250	(10)	591	730	720	22	420	185	1099	7.27	1153
300	(12)	690	850	875	24.5	420	248	1588	8.36	1743