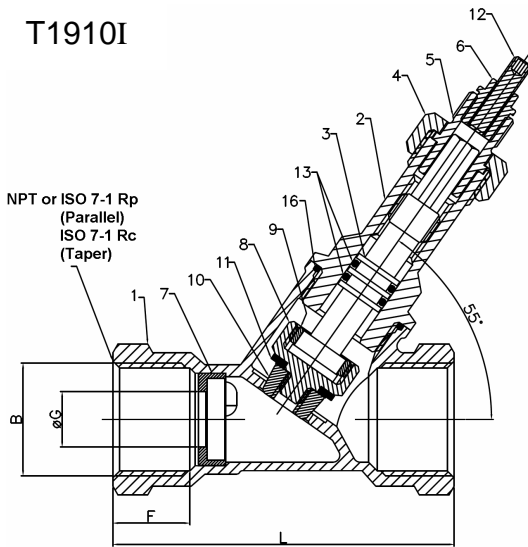


Fixed Orifice Double Regulating Valve (Balancing Valve), PN20, Threaded Ends

T1910I



MATERIAL LIST

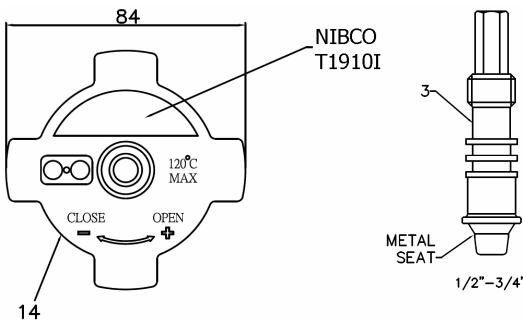
No.	PART	MATERIAL	SPEC. ASTM	BSEN
1.	Body	Bronze	B62 C83600	1982 CC491K
2.	Bonnet	Bronze	B62 C83600	1982 CC491K
3.	Stem	DZR Brass	C35330	12164 CW602N
4.	Gland Nut	Brass	C36000	12164 CW614N
5.	Stem Holder	Brass	C36000	12164 CW614N
6.	Handle Nut	Brass	C36000	12164 CW614N
7.	Orifice Insert	DZR Brass	C35330	12164 CW602N
8.	Disc 1"-2"	DZR Brass	C35330	12164 CW602N
9.	Disc Nut 1"-2"	DZR Brass	C35330	12164 CW602N
10.	Seat Nut 1"-2"	DZR Brass	C35330	12164 CW602N
11.	Seat 1"-2"	Teflon		
12.	Adjustable Screw	Steel	Commerical	
13.	O-Ring	EPDM	D2000	
14.	Handwheel	Nylon 6 + 30% Fibers		
15.	Test Point	DZR Brass	C35330	12164 CW602N
16.	O-Ring	EPDM	D2000	

Pressure Testing

Shell	30 Bar
Seat	22 Bar

Pressure/Temperature Rating

20 Bar (290 psi)/ -10 to 100°C
17.2 Bar (250 psi)/ 120°C

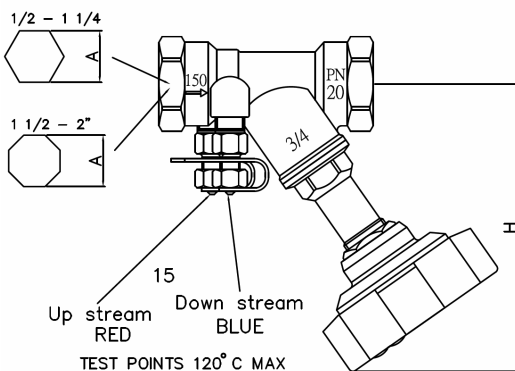


DIMENSIONS (mm)

Size (DN)	H	L	øG	F	A	B	Weight (kg)
15	110	87	8.3	18.5	26	NPT or ISO7	0.61
20	110	96	12.3	20	32	NPT or ISO7	0.65
25	133	100	16.3	22	39	NPT or ISO7	0.95
32	135	114	23.4	25	49	NPT or ISO7	1.13
40	149	125	28.2	25	54	NPT or ISO7	1.52
50	150	146	39.8	28	67	NPT or ISO7	1.98

DIMENSIONS (in.)

Size	H	L	øG	F	A	B	Weight (lb)
1/2"	4.33	3.43	0.327	0.728	1.024	NPT or ISO7	1.342
3/4"	4.33	3.78	0.484	0.787	1.260	NPT or ISO7	1.43
1"	5.24	3.94	0.642	0.866	1.535	NPT or ISO7	2.09
1 1/4"	5.31	4.49	0.921	0.984	1.929	NPT or ISO7	2.486
1 1/2"	5.87	4.92	1.110	0.984	2.126	NPT or ISO7	3.344
2"	5.91	5.75	1.567	1.102	2.638	NPT or ISO7	4.356



Remark:

1. Inside screw non-rising handwheel with numerical indicator
2. Allen key to be supplied with IMO in a polybag.
3. Body/Bonnet made of ECOBRASS is optional.
4. Flow chart is available on request.
5. Conforms to BS 7350:1990

NIBCO INC., ELKHART, INDIANA